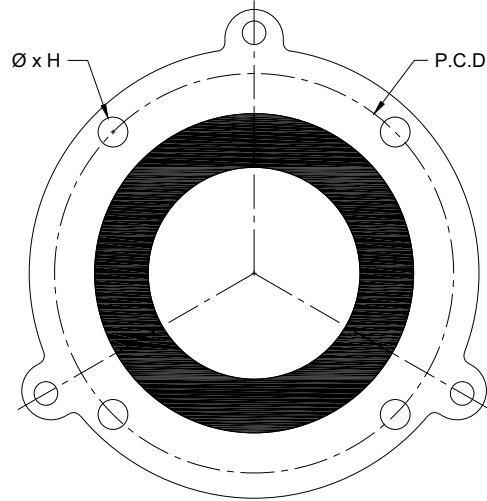
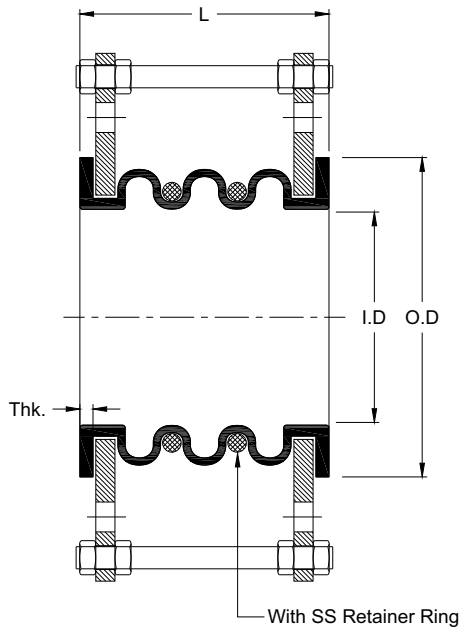


PTFE HIGH PRESSURE BELLOW



Specification

Body: PTFE / CFT
 Flange: Carbon Steel / SS304 / SS316
 Design Pressure: 10 Kg/Cm²
 Operating Pressure: 5-6 Kg/Cm²
 Vacuum: Full
 Convoulation: 3



DIMENSION TABLE				
Size	Outer Diameter	Inner Diameter	Length	Thickness
NB	O.D.	I.D.	L	T
25	50	25	100	6
40	70	40	100	6
50	90	50	100	6
80	125	75	100	7
100	150	100	100	7
150	215	150	150	8
200	270	200	150	8
250	320	250	150	8
300	381	300	150	9
400	470	400	150	9
450	533	450	150	9
600	692	600	150	9

